


VISTA
V I E W®

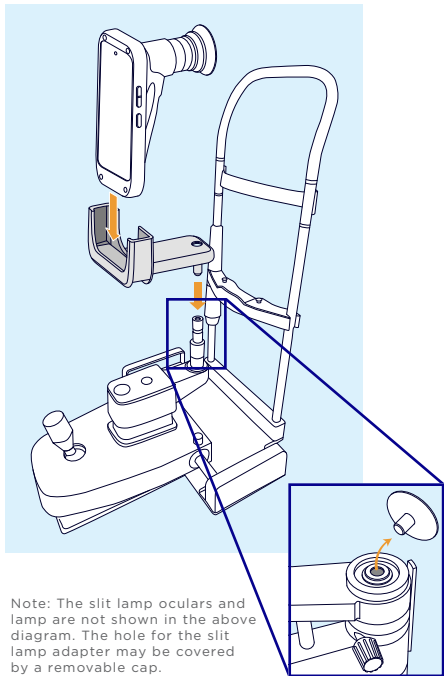




Slit Lamp Adapter
MANUAL

volk.com

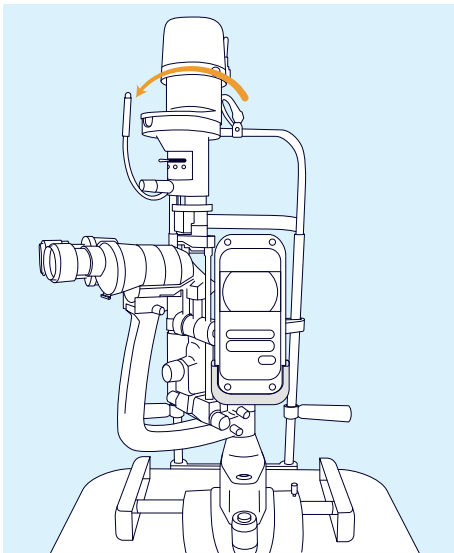
GETTING STARTED



Note: The slit lamp oculars and lamp are not shown in the above diagram. The hole for the slit lamp adapter may be covered by a removable cap.

HOW TO USE

Swivel the lamp and oculars to the side of the slit lamp to make room for the adapter. Attach the adapter to the slit lamp. Power on the VistaView and begin imaging. Use the joystick to align the VistaView optics to the retina.



INTENDED USE

The VistaView Slit Lamp Adapter is an accessory meant to be used with a VistaView to allow for a more stable setup for fundus imaging. The adapter is only compatible with VVISTAVIEW2. It is not intended to be used with the slit lamp oculars, lamp, or other components of the slit lamp.

CARING FOR THE ADAPTER

CLEANING

The VistaView Slit Lamp Adapter can be cleaned with mild soap or detergent before being rinsed with clean water. The device should be dried using a clean cotton cloth.

DISINFECTION

Thoroughly wipe the slit lamp adapter using at least a 70% Isopropyl Alcohol wipe. Do not autoclave or use heat to clean the adapter.

WARRANTY INFORMATION

Volk Optical warrants the VistaView Slit Lamp Adapter against defects in materials or workmanship for one year from the date of receipt by the end user. For more information on Volk's warranty terms, please refer to the Volk Terms and Conditions of Sale on volk.com.

Check Out Our Other **VOLK PRODUCTS**

Scan the QR Code below to be
redirected to our website.



volk.com



Volk Optical Inc.
7893 Enterprise Drive
Mentor, Ohio 44060
USA

EC **REP**

Rudolf Riester GmbH
Bruckstraße 31
72417 Jungingen, Germany
Email: info@riester.de
Phone: +49 74 77 / 92 70-0
Fax: +49 74 77 / 92 70-70



Volk Optical, Inc.
7893 Enterprise Drive
Mentor, OH 44060
USA

volk.com
volk@volk.com

Toll Free USA: +1 (800) 345-8655
Phone: +1 (440) 942-6161

IM-120 REV A